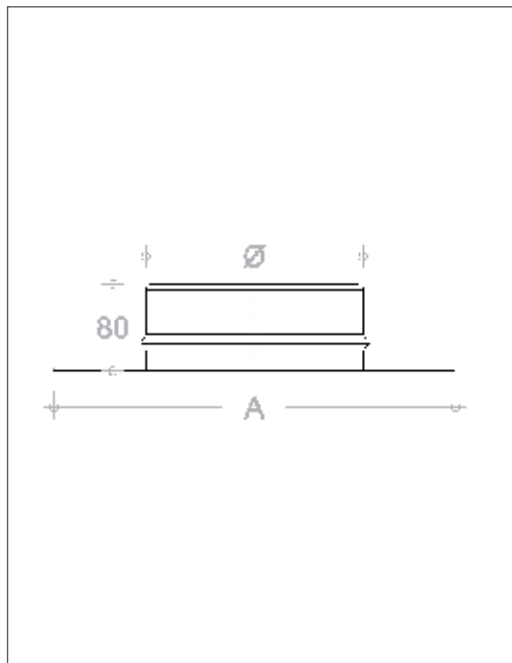




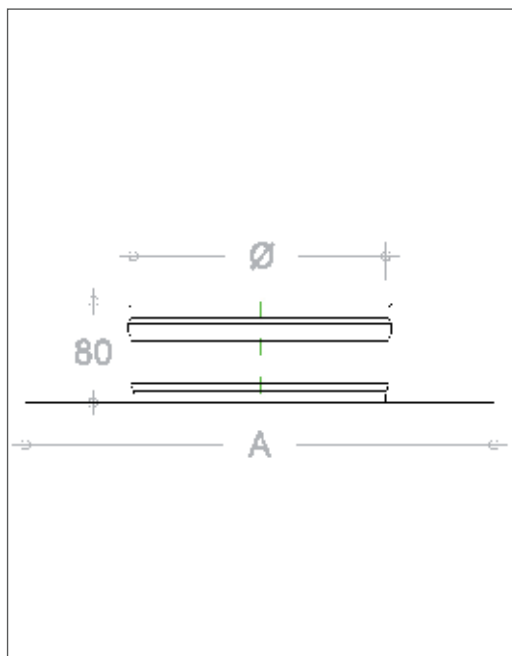
**#2.12 MONOPARETE / BASE FORATA**

## Settore Monoparete



Base Forata "M"

Base	Diametro 2
200x200	80/200
250x250	80/250
300x300	150/300
350x350	150/350
400x400	150/400
450x450	150/450
500x500	150/450



Base Forata "F"

Base	Diametro 2
200x200	80/200
250x250	80/250
300x300	150/300
350x350	150/350
400x400	150/400
450x450	150/450
500x500	150/450