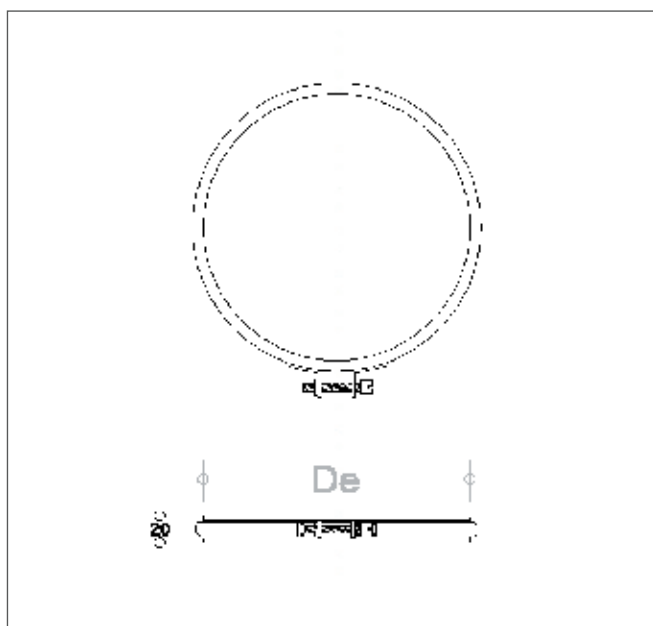


The background of the entire page is a close-up, high-contrast photograph of a chain made of interlocking metal rings. The rings are highly reflective, showing bright highlights and deep shadows, creating a complex, textured pattern. The lighting is dramatic, emphasizing the metallic sheen and the geometric shapes of the chain links.

**UNIVERSAL**   
*FOLDED METALS MASTERS*

**#2.06 MONOPARETE / FASCETTE**

## Settore Monoparete



### Fascette di Bloccaggio

| Diametro | Pz. Per conf. |
|----------|---------------|
| 80       | 10            |
| 100      | 10            |
| 120      | 10            |
| 130      | 10            |
| 140      | 10            |
| 150      | 10            |
| 160      | 10            |
| 180      | 10            |
| 200      | 10            |
| 220      | 10            |
| 230      | 10            |
| 250      | 10            |
| 300      | 10            |
| 350      | 10            |
| 400      | 10            |
| 450      | 10            |