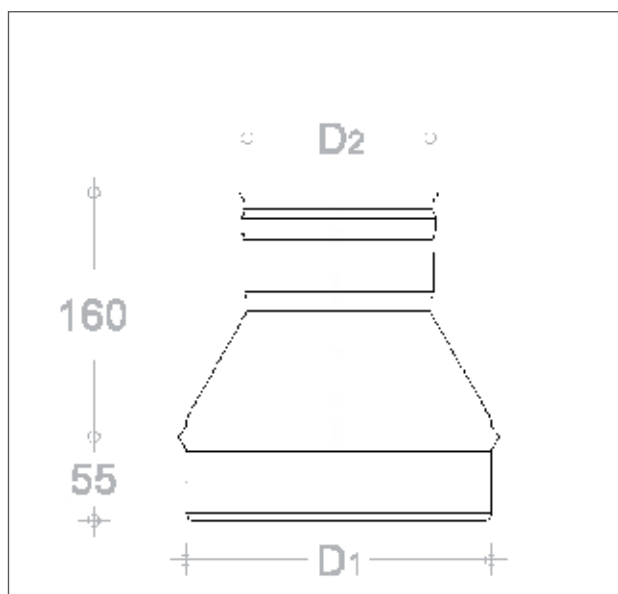


**UNIVERSAL**   
*FOLDED METALS MASTERS*

**#2.08 MONOPARETE / RIDUZIONI**

## Settore Monoparete



### Riduzioni Inox

Diametro	Diametro 2
100	80
120	100/80
130	120/80
140	130/80
150	140/80
160	150/80
180	160/80
200	180/80
220	200/80
230	220/80
250	230/80
300	250/150
350	300/150
400	350/150
450	400/150